



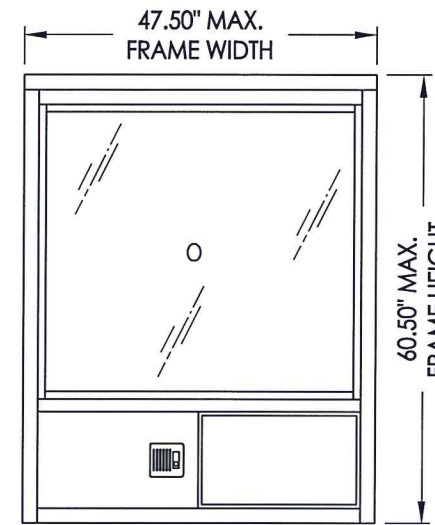
1815 Arthur Drive • West Chicago, Illinois 60185

READY ACCESS DRIVE THROUGH WINDOW "IMPACT"

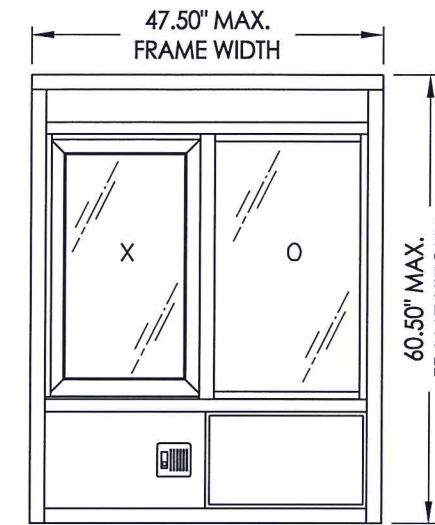
GENERAL NOTES

1. This product has been evaluated and is in compliance with the 5th Edition (2014) Florida Building Code (FBC) structural requirements including the "High Velocity Hurricane Zone" (HVHZ).
2. Product anchors shall be as listed and spaced as shown on details. Anchor embedment to base material shall be beyond wall dressing or stucco.
3. When used in the "HVHZ", this product complies with Section 1626 of the FBC and does not require an impact resistant covering.
4. For 2x stud framing construction, anchoring of these units shall be the same as that shown for 2x buck masonry construction.
5. Wood bucks, by others, must be anchored properly to transfer loads to the structure.
6. This product meets the water requirements for the "HVHZ".
7. Aluminum components, including fasteners, shall meet the requirements of FBC Section 2003.
8. Site conditions that deviate from the details of this drawing require further engineering analysis by a licensed engineer or registered architect.

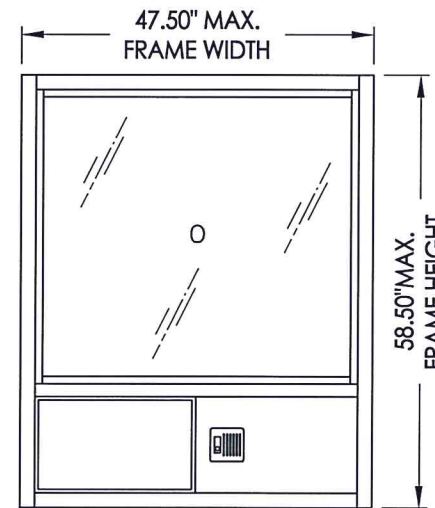
TABLE OF CONTENTS	
SHEET #	DESCRIPTION
1	Typical elevations, design pressures & general notes
2	600 Series window sections & details
3	602 Series window sections & details
4	603 Series window sections & details
5	604 Series window sections & details
6	Anchoring
7	Components
8	Bill of materials, components & glazing details



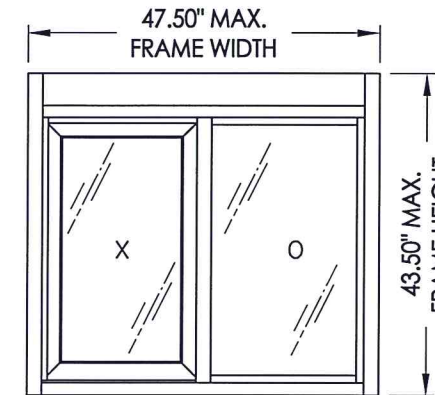
604 SERIES WINDOW



602 SERIES WINDOW

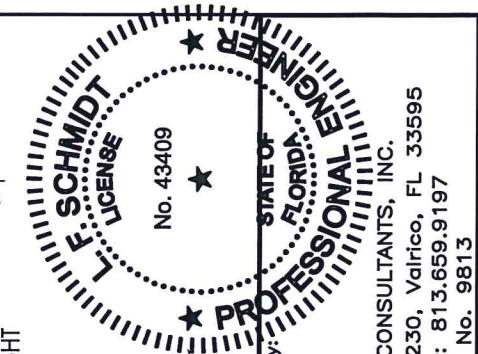


603 SERIES WINDOW



600 SERIES WINDOW

MODEL	OVERALL FRAME DIMENSION	OVERALL D.L.O. DIMENSION	GLASS TYPE	DESIGN PRESSURE RATING (PSF)	
600	47.50" x 43.50"	(O) 19.62" x 33.78" (X) 16.14" x 30.18"	G1	+75.0	-75.0
602	47.50" x 60.50"	(O) 19.62" x 33.78" (X) 16.14" x 30.18"		+55.0	-55.0
603	47.50" x 58.50"	(O) 41.49" x 37.78"		+50.0	-50.0
604	47.50" x 60.50"	(O) 41.49" x 37.78"		+50.0	-50.0

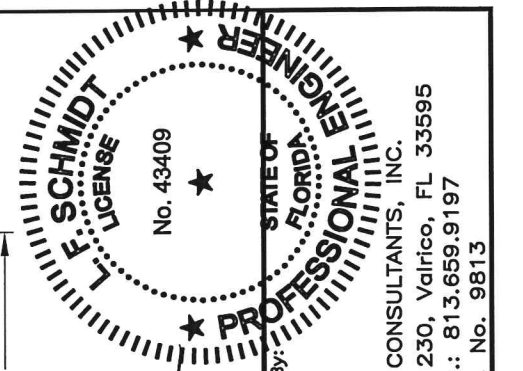
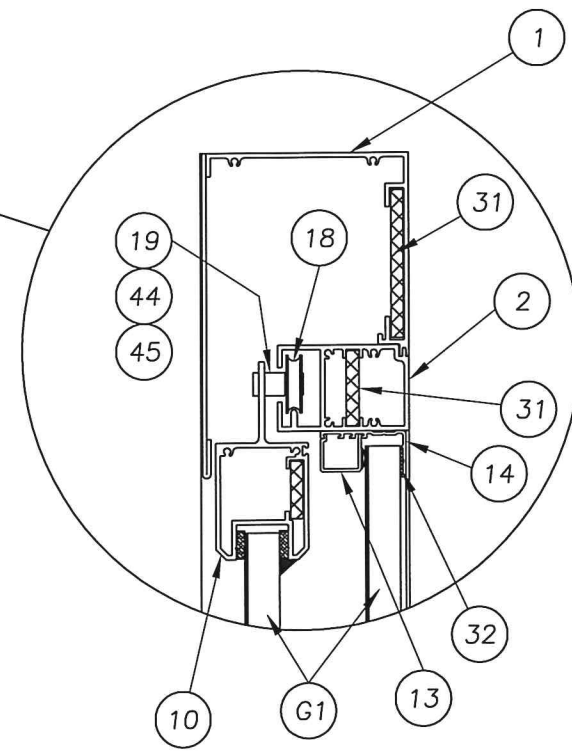
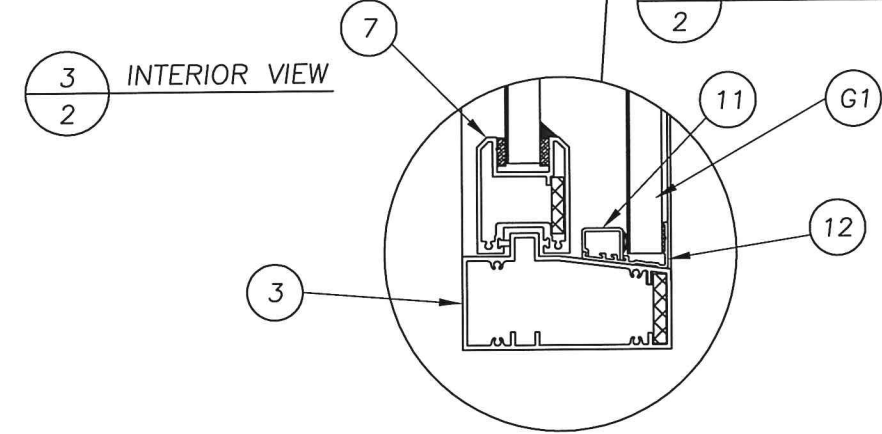
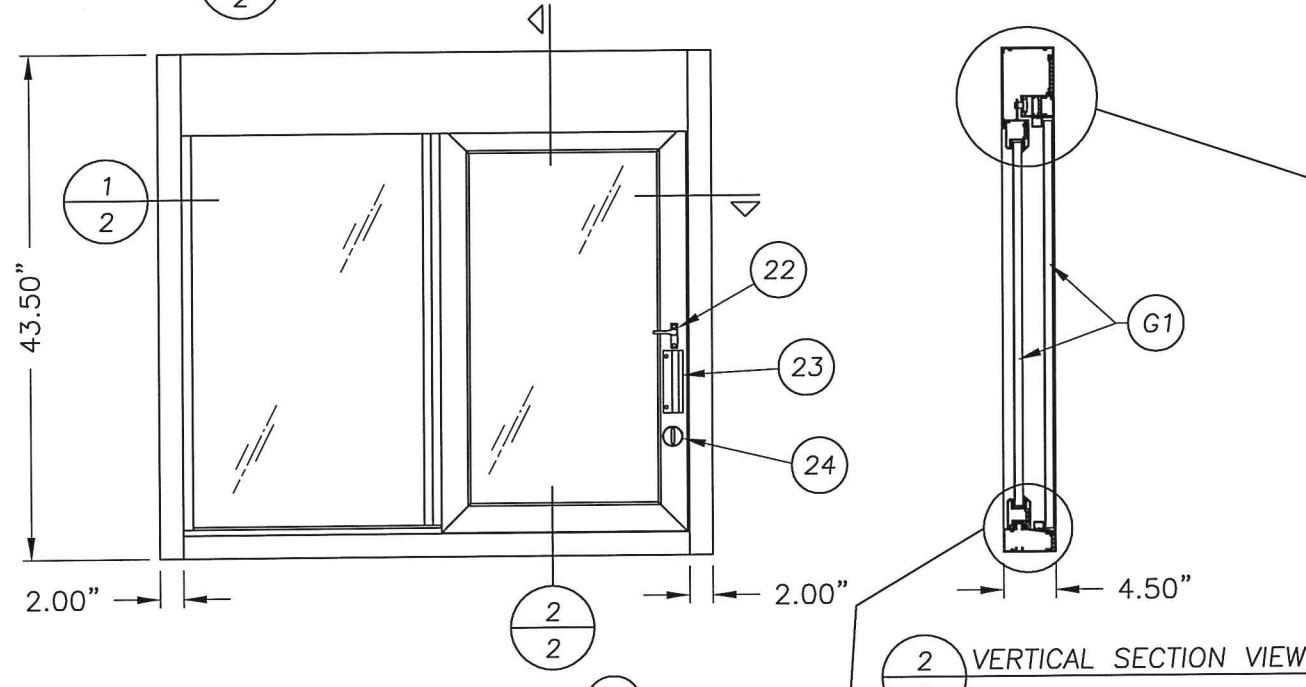
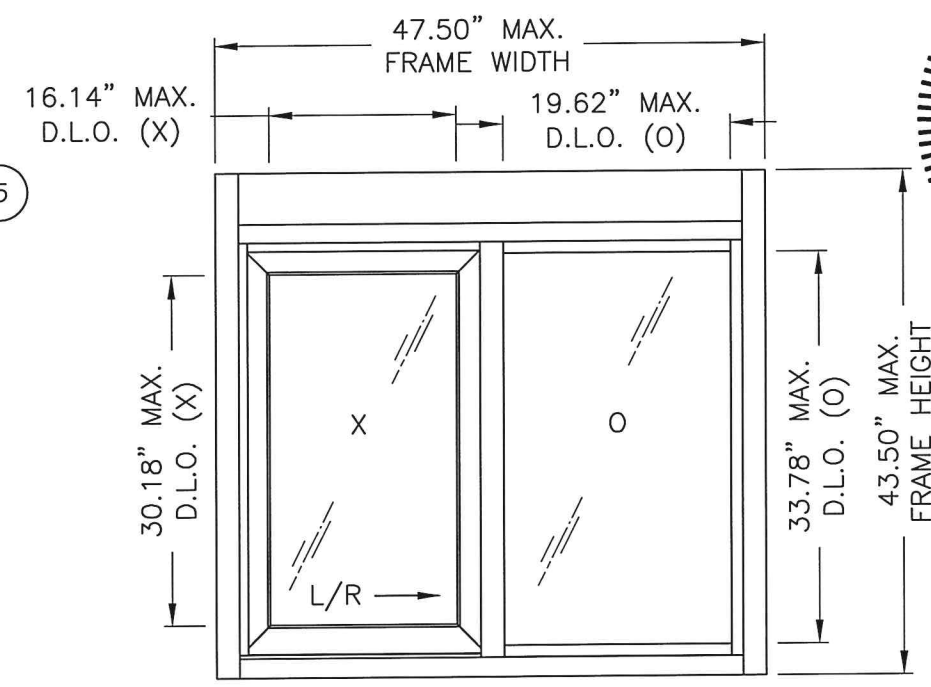
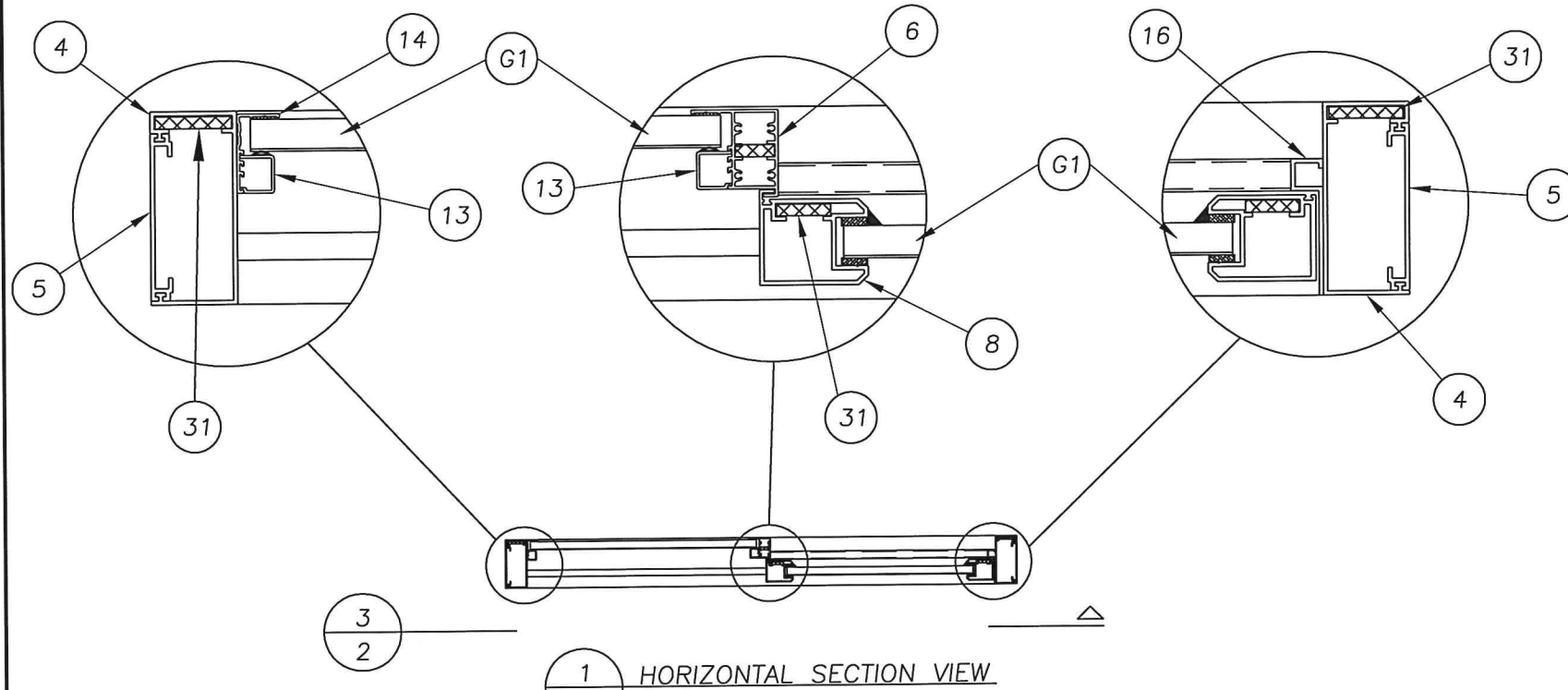


LFS
3-31-15

Documents Prepared By:
Lyndon F. Schmidt
P.E. No. 43409

RW BUILDING CONSULTANTS, INC.
P.O. Box 230, Vairico, FL 33595
Phone No.: 813.659.9197
FBPE C.A. No. 9813

PRODUCT: READY ACCESS DRIVE THROUGH WINDOW "IMPACT"		PART OR ASSEMBLY: TYPICAL ELEVATIONS, DESIGN PRESSURES & GENERAL NOTES	
DATE: 1/24/12	SCALE: N.T.S.	NO.	BY
DWG. BY: KV	CHK. BY: LFS	1	LFS
DRAWING NO.: FL-5102.3	REVISIONS	3/30/15	UPDATE TO 5TH ED. (2014) FBC
SHEET 1 OF 8			



67.0
3.31.15

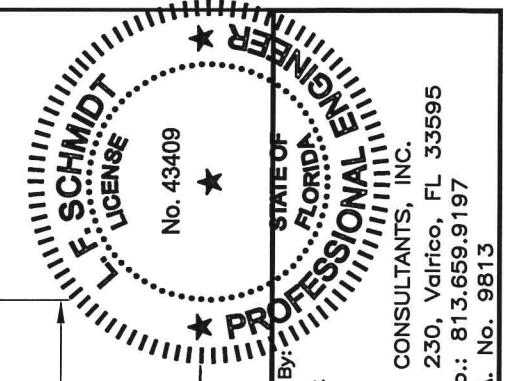
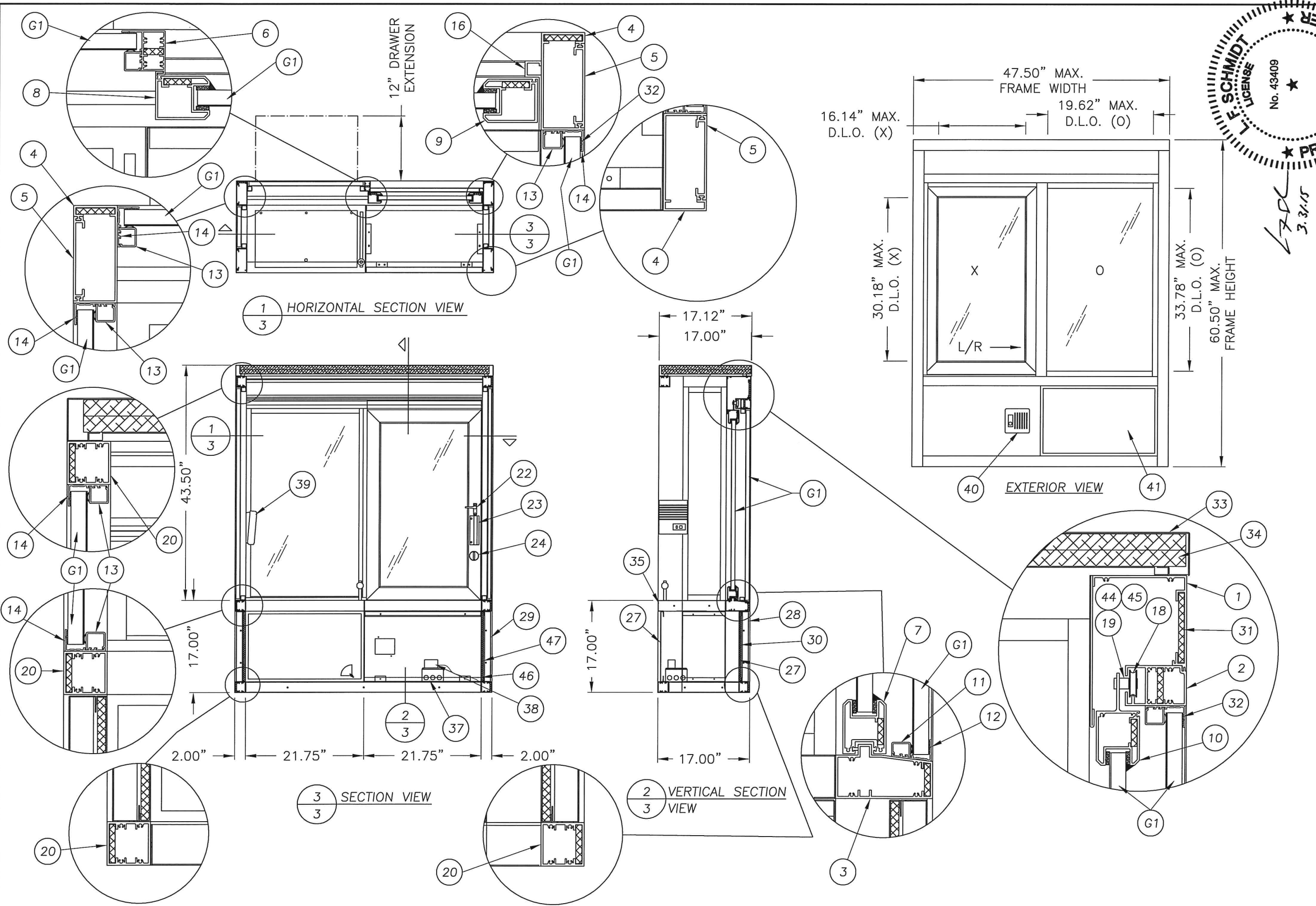
Documents Prepared By:
Lyndon F. Schmidt
P.E. No. 43409

R.W. BUILDING CONSULTANTS, INC.
P.O. Box 230, Valrico, FL 33595
Phone No.: 813.659.9197
FBPE C.A. No. 9813

PRODUCT: READY ACCESS DRIVE THROUGH WINDOW "IMPACT"
PART OR ASSEMBLY: 600 SERIES WINDOW SECTIONS & DETAILS

NO.	DATE	REVISIONS
1	3/30/15	UPDATE TO 5TH ED. (2014) FBC
LFS		BY

DATE: 1/24/12
SCALE: N.T.S.
DWG. BY: KV
CHK. BY: LFS
DRAWING NO.: FL-5102.3
SHEET 2 OF 8



Documents Prepared By:
 Lyndon F. Schmidt
 P.E. No. 43409

RW BUILDING CONSULTANTS, INC.
 P.O. Box 230, Valrico, FL 33595
 Phone No.: 813.659.9197
 FBPE C.A. No. 9813

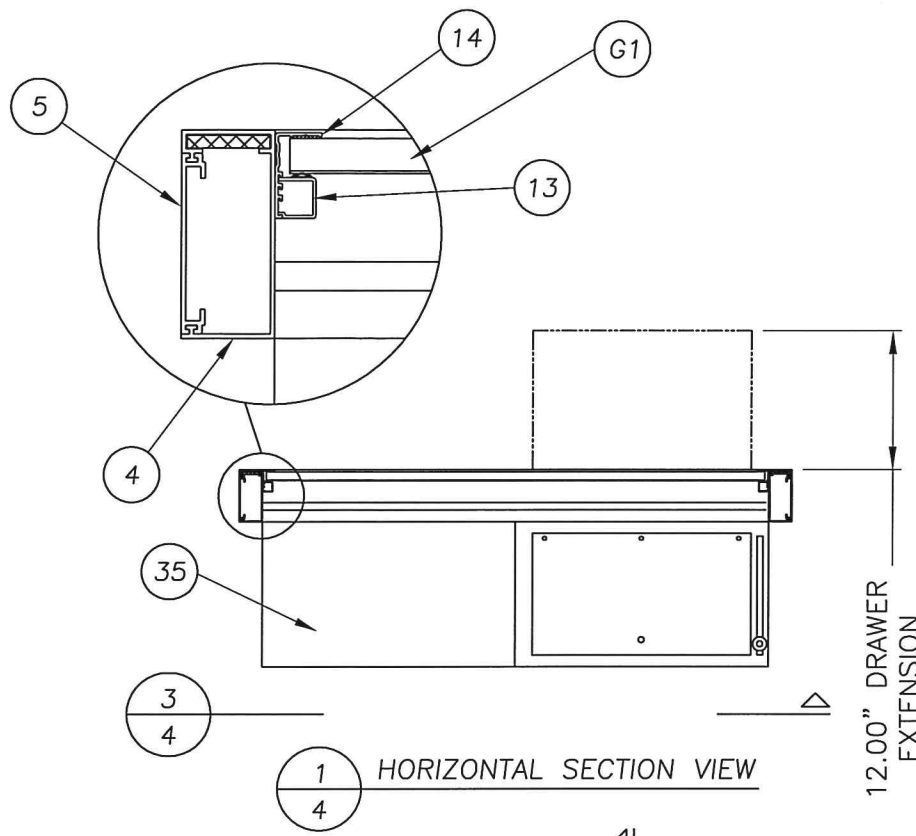
PRODUCT: READY ACCESS DRIVE THROUGH WINDOW "IMPACT"

PART OR ASSEMBLY: 602 SERIES WINDOW SECTIONS & DETAILS

NO.	DATE	DESCRIPTION	LFS	BY
1	3/30/15	UPDATE TO 5TH ED. (2014) FBC		



REVISIONS

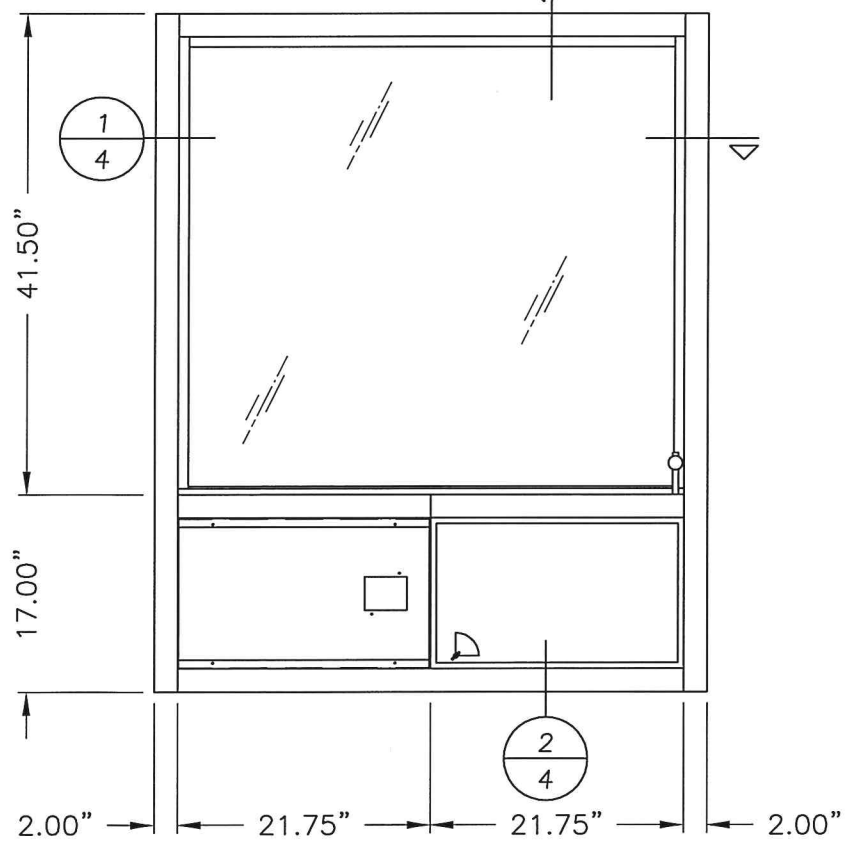
DATE: 1/24/12
 SCALE: N.T.S.
 DWG. BY: KV
 CHK. BY: LFS
 DRAWING NO.: FL-5102.3
 SHEET 3 of 8



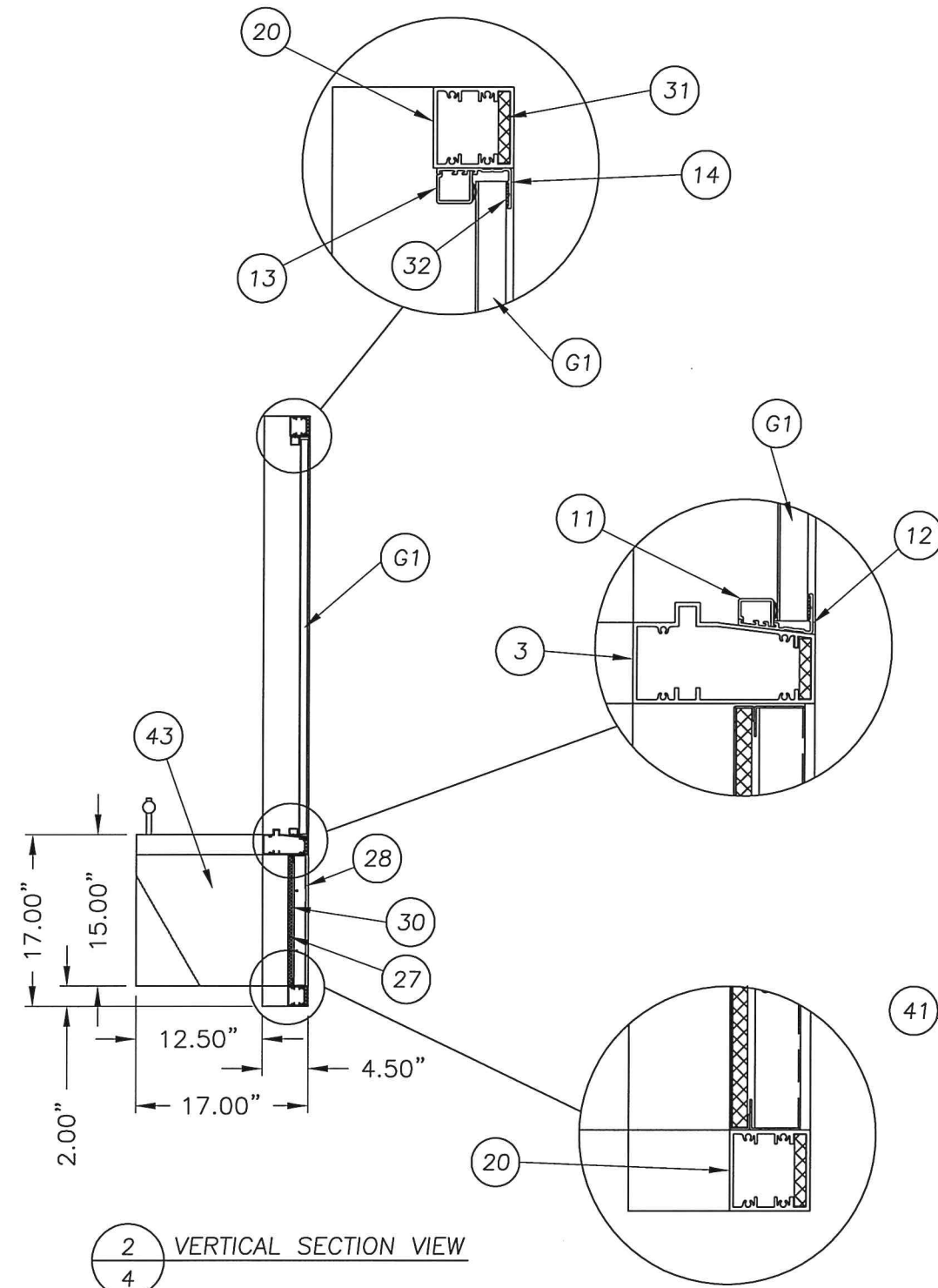
1 HORIZONTAL SECTION VIEW

12.00" DRAWER EXTENSION

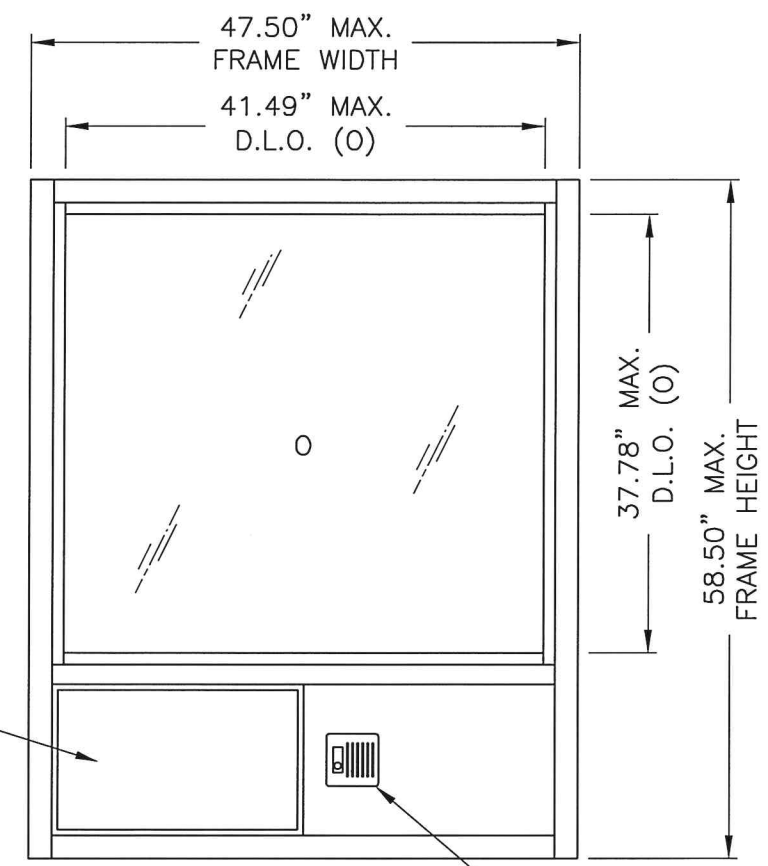
  INTERIOR MASTER SPEAKER AND POWER SUPPLY SHIPPED SEPARATE TO BE INSTALLED ON INTERIOR ADJOINING WALL.
 ALL ALUMINUM EXTRUSION = ANODIZED
 DRAWER & FACE PANELS = STAINLESS STEEL #4 FINISH



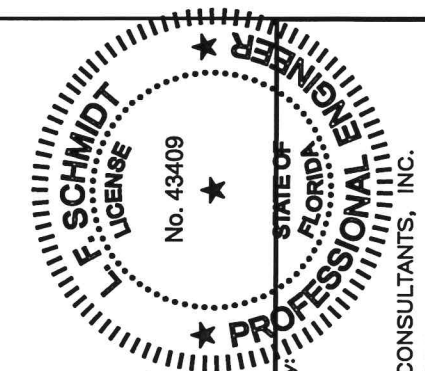
3 INTERIOR VIEW



2 VERTICAL SECTION VIEW



EXTERIOR VIEW



LFS
3-31-15

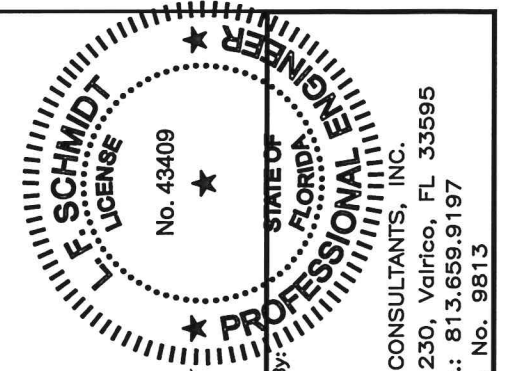
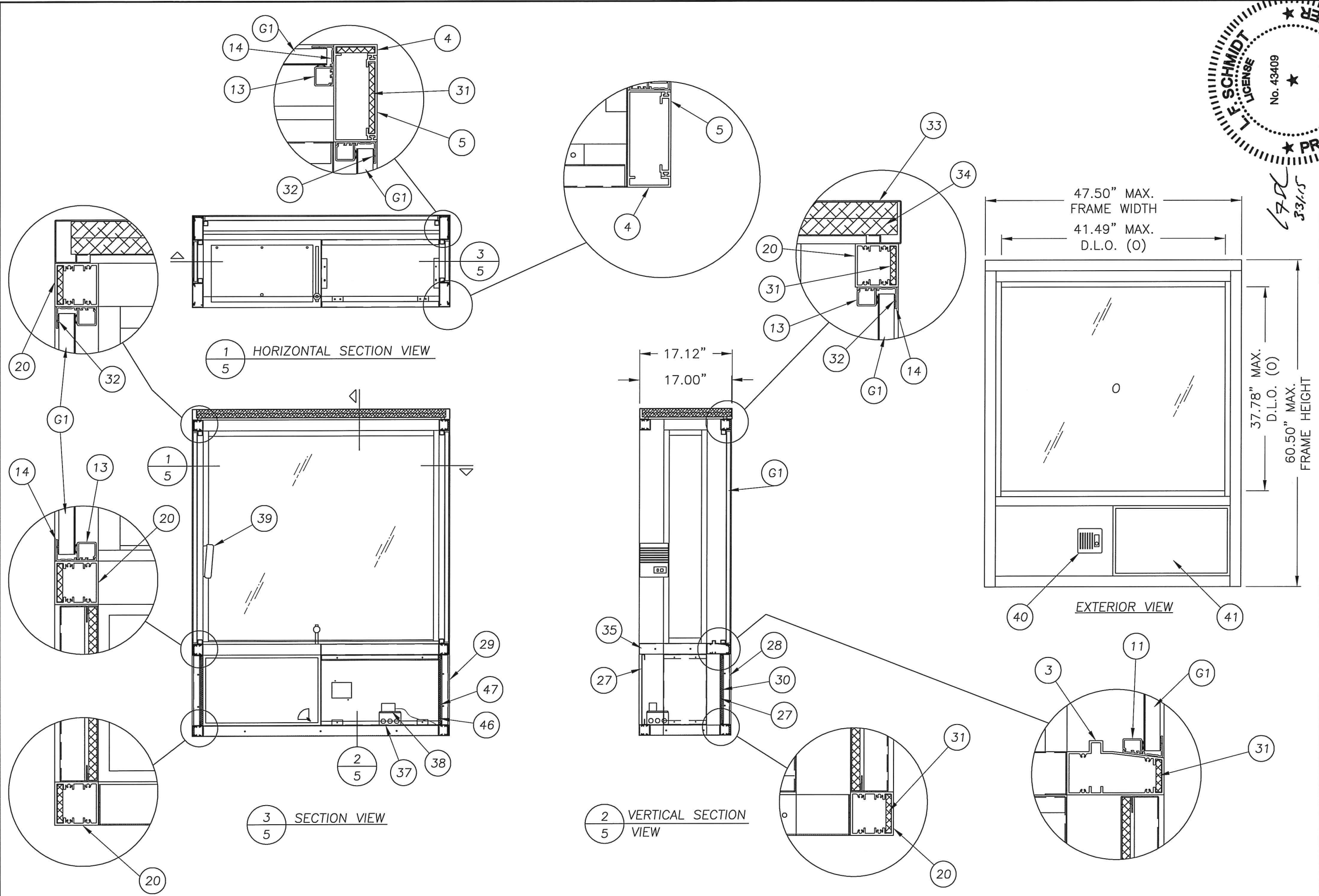
Documents Prepared By:
Lyndon F. Schmidt
P.E. No. 43409

RW BUILDING CONSULTANTS, INC.
P.O. Box 230, Valrico, FL 33595
Phone No.: 813.659.9197
FBPE C.A. No. 9813

PRODUCT: READY ACCESS DRIVE THROUGH WINDOW "IMPACT"
 PART OR ASSEMBLY: 603 SERIES WINDOW SECTIONS & DETAILS

NO.	DATE	REVISIONS	LFS	BY
1	3/30/15	UPDATE TO 5TH ED. (2014) FBC	LFS	BY

DATE: 1/24/12
 SCALE: N.T.S.
 DWG. BY: KV
 CHK. BY: LFS
 DRAWING NO.: FL-5102.3
 SHEET 4 OF 8



Documents Prepared By:
Lyndon F. Schmidt
P.E. No. 43409

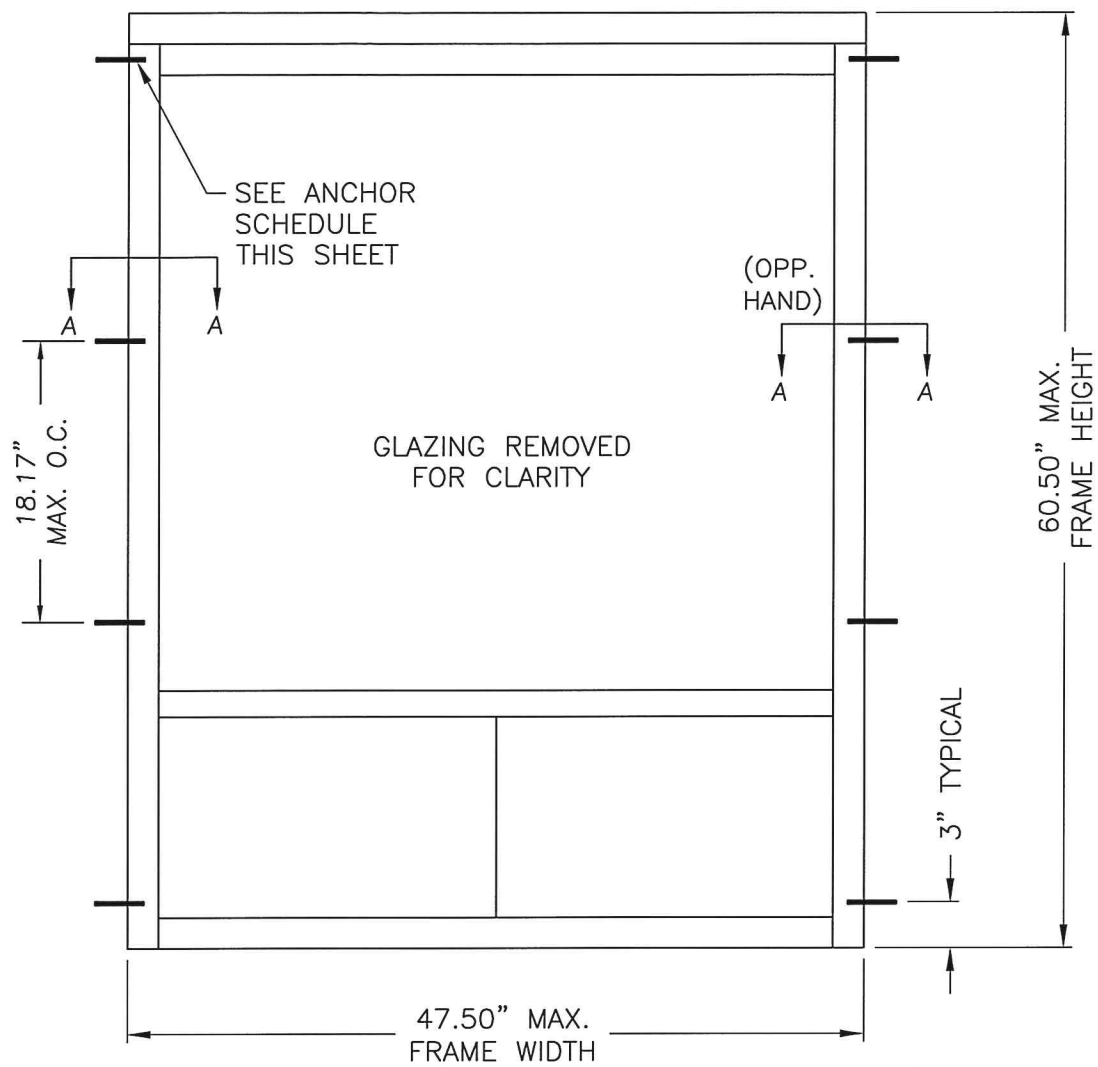
R.W. BUILDING CONSULTANTS, INC.
P.O. Box 230, Vairico, FL 33595
Phone No.: 813.659.9197
FBPE C.A. No. 9813

PRODUCT: READY ACCESS DRIVE THROUGH WINDOW "IMPACT"

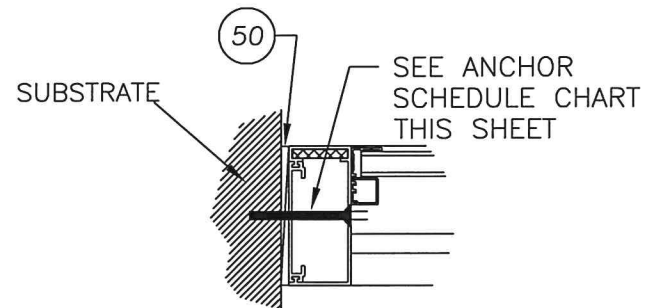
PART OR ASSEMBLY: 604 SERIES WINDOW SECTIONS & DETAILS

NO.	DATE	DESCRIPTION	LFS	BY
1	3/30/15	UPDATE TO 5TH ED. (2014) FBC	LFS	BY

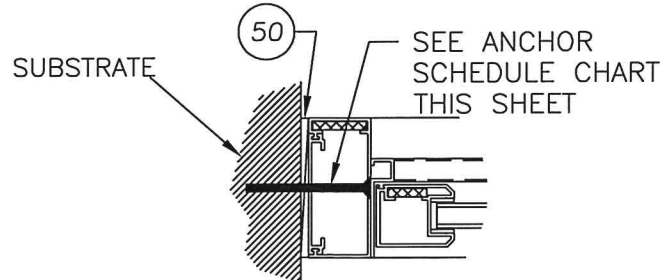
DATE: 1/24/12
SCALE: N.T.S.
DWG. BY: KV
CHK. BY: LFS
DRAWING NO.: FL-5102.3
SHEET 5 OF 8



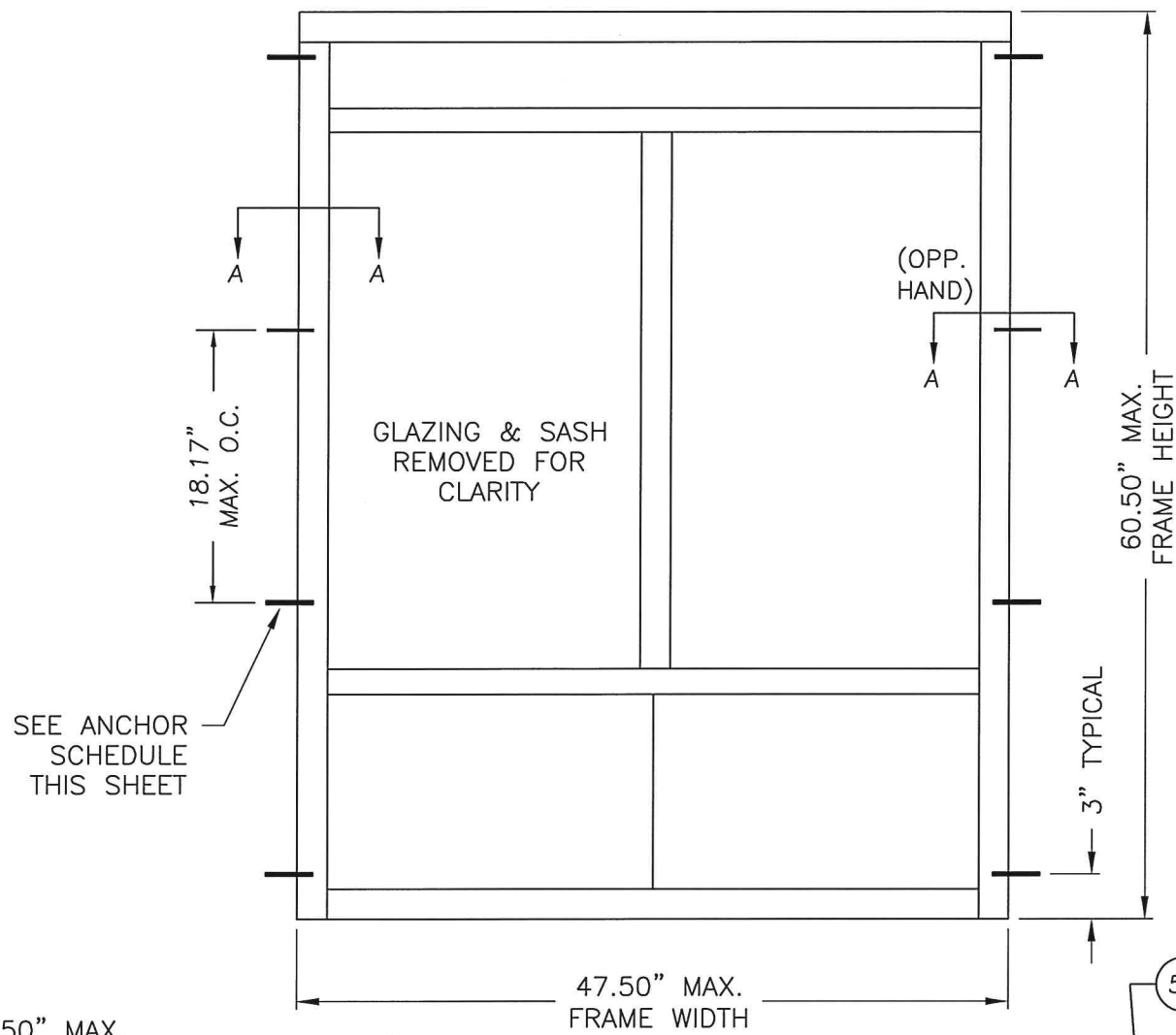
603 AND 604 SERIES WINDOW



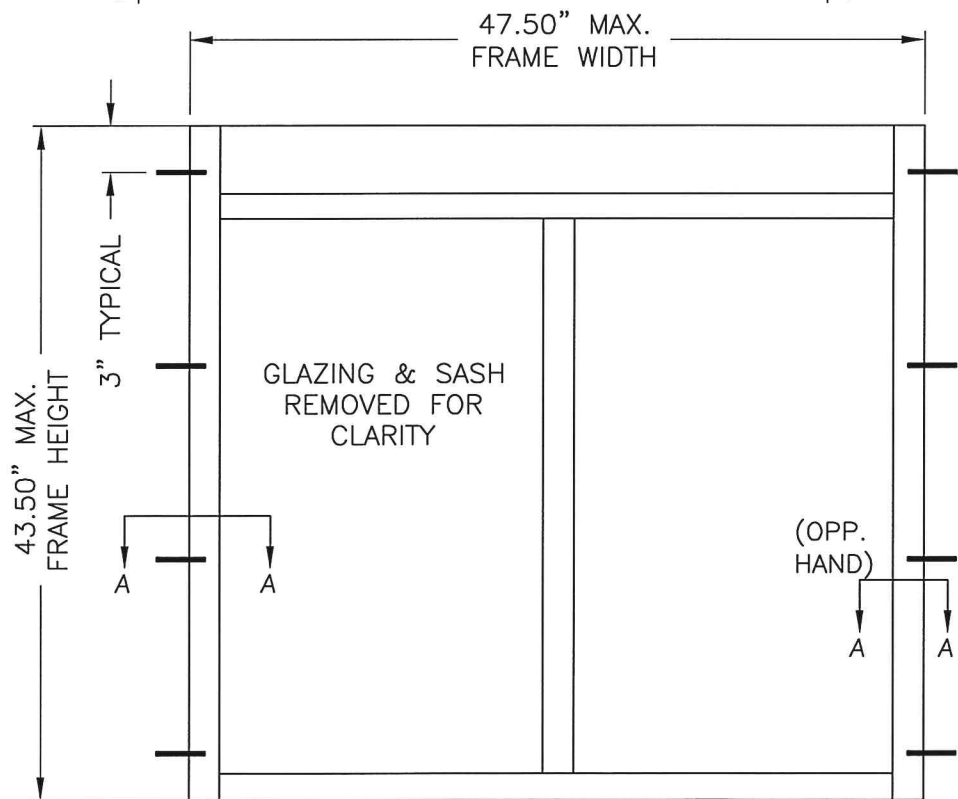
SECTION AA
FIXED WINDOW PANEL



SECTION AA
ACTIVE WINDOW PANEL



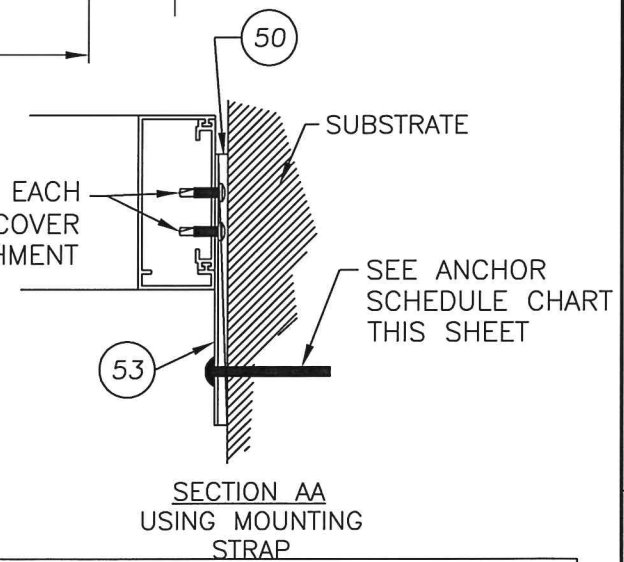
602 SERIES WINDOW



600 SERIES WINDOW

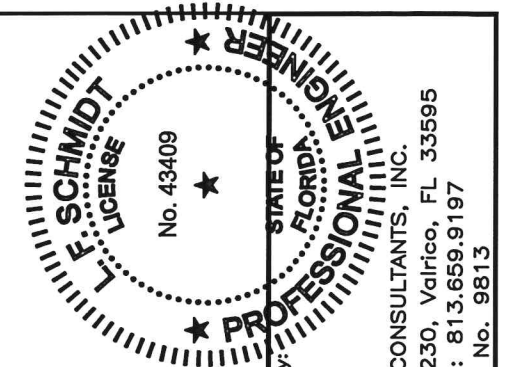
(3) #12 x 1" M.S. AT EACH STRAP-TO-FRAME COVER ATTACHMENT

SEE ANCHOR SCHEDULE THIS SHEET



SECTION AA
USING MOUNTING STRAP

ANCHOR SCHEDULE	
SUBSTRATE	ANCHOR
CONCRETE: 3,000 PSI CONCRETE (ACI 301) HOLLOW BLOCK (ASTM C90)	1/4" ϕ HWH ITW TAPCON CONCRETE ANCHOR (1.25" MIN. EMBEDMENT, 2.5" MIN EDGE DISTANCE & 4" MIN. CL DISTANCE)
STEEL: 16 GA. MIN. (ASTM A36, GRADE 33)	1/4"-20 HILTI KWIK-FLEX SELF-DRILLING SMS (MIN. PROTRUSION OF 3 THREADS BEYOND FULL ENGAGEMENT, 3/4" MIN. EDGE DISTANCE & 1" MIN. CL DISTANCE)
WOOD (DOUBLE 2X BUCK): SG = 0.55 OR BETTER	#14 WOOD SCREW (1.75" MIN. EMBEDMENT, 3/4" MIN. EDGE DISTANCE & 1" MIN. CL DISTANCE)



Documents Prepared By:
Lyndon F. Schmidt
P.E. No. 43409

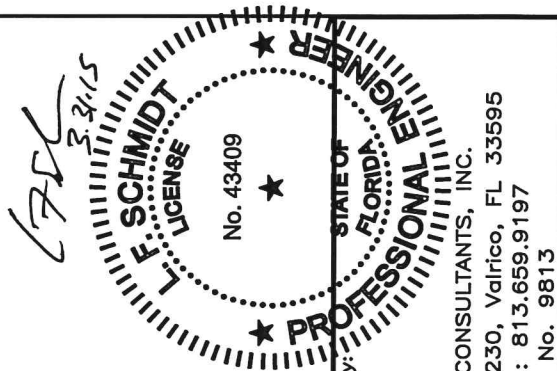
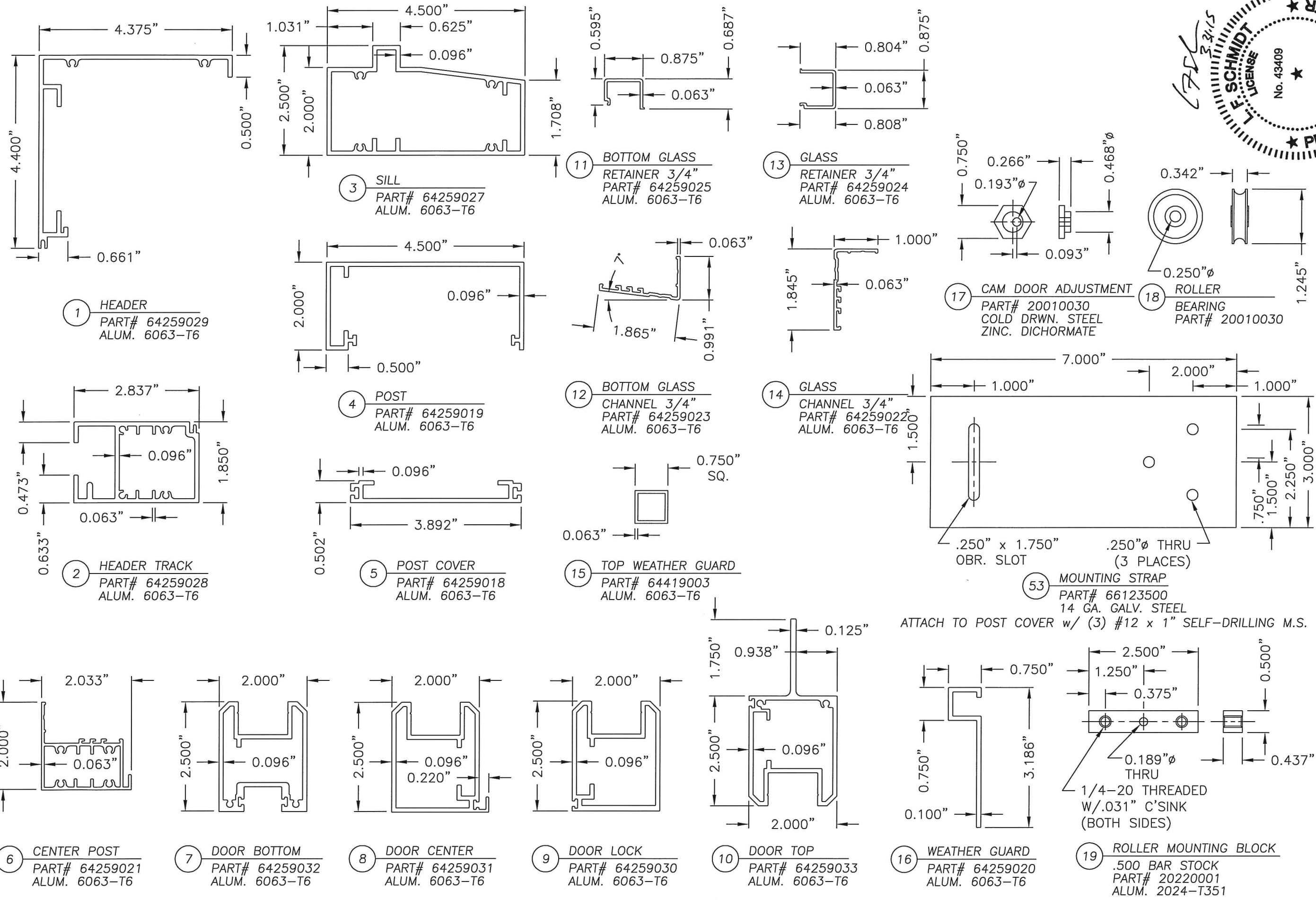
R.W. BUILDING CONSULTANTS, INC.
P.O. Box 230, Valrico, FL 33595
Phone No.: 813.659.9197
FBPE C.A. No. 9813

PRODUCT:
READY ACCESS
DRIVE THROUGH WINDOW
"IMPACT"

PART OR ASSEMBLY:
ANCHORING

NO.	DATE	REVISIONS
1	3/30/15	UPDATE TO 5TH ED. (2014) FBC
		LFS
		BY

DATE: 1/24/12
SCALE: N.T.S.
DWG. BY: KV
CHK. BY: LFS
DRAWING NO.: FL-5102.3
SHEET 6 OF 8



Documents Prepared By:
Lyndon F. Schmidt
P.E. No. 43409

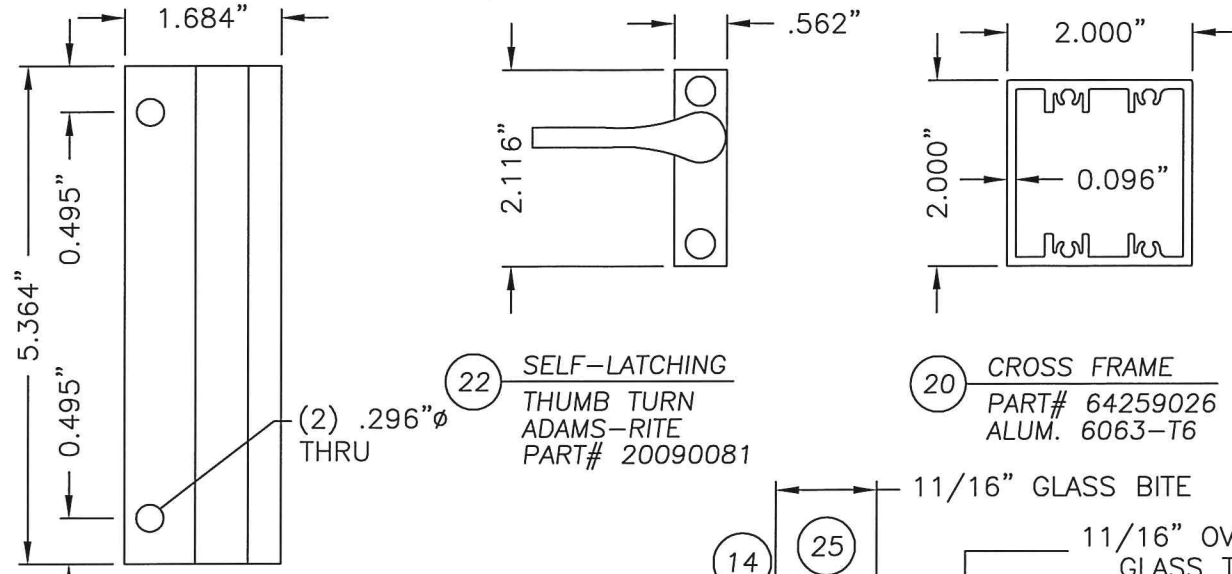
R.W. BUILDING CONSULTANTS, INC.
P.O. Box 230, Valrico, FL 33595
Phone No.: 813.659.9197
FBPE C.A. No. 9813

PRODUCT:	READY ACCESS DRIVE THROUGH WINDOW "IMPACT"
PART OR ASSEMBLY:	COMPONENTS

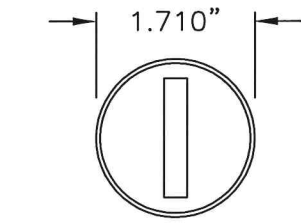
NO.	DATE	DESCRIPTION	LFS	BY
1	3/30/15	UPDATE TO 5TH ED. (2014) FBC		

DATE:	1/24/12
SCALE:	N.T.S.
DWG. BY:	KV
CHK. BY:	LFS
DRAWING NO.:	FL-5102.3
SHEET	7 OF 8

ITEM	DESCRIPTION	MATERIAL
1	HEADER PART# 64259029 ALUM. 6063-T6	ALUM.
2	HEADER TRACK PART# 64259028 ALUM. 6063-T6	ALUM.
3	SILL PART# 64259027 ALUM. 6063-T6	ALUM.
4	POST PART# 64259019 ALUM. 6063-T6	ALUM.
5	POST COVER PART# 64259018 ALUM. 6063-T6	ALUM.
6	CENTER POST PART# 64259021 ALUM. 6063-T6	ALUM.
7	DOOR BOTTOM PART# 64259032 ALUM. 6063-T6	ALUM.
8	DOOR CENTER PART# 64259031 ALUM. 6063-T6	ALUM.
9	DOOR LOCK PART# 64259030 ALUM. 6063-T6	ALUM.
10	DOOR TOP PART# 64259033 ALUM. 6063-T6	ALUM.
11	GLASS RETAINER (3/4") PART# 64259025 ALUM. 6063-T6	ALUM.
12	BOTTOM GLASS CHANNEL (3/4") PART# 64259023 ALUM. 6063-T6	ALUM.
13	GLASS RETAINER (3/4") PART# 64259024 ALUM. 6063-T6	ALUM.
14	GLASS CHANNEL (3/4") PART# 64259022 ALUM. 6063-T6	ALUM.
15	TOP WEATHER GUARD PART# 64419003 ALUM. 6063-T6	ALUM.
16	WEATHER GUARD PART# 64259020 ALUM. 6063-T6	ALUM.
17	CAM DOOR ADJUSTMENT PART# 00651433 STEEL ZINC.	STEEL
18	ROLLER TRACK BEARING PART# 20010030	-
19	ROLLER MOUNTING BLOCK PART# 20220001 ALUM. 2024-T351	TPS
20	CROSS FRAME PART# 64259025 ALUM. 6063-T6	ALUM.
21	SILICONE GLAZING SEALANT DOW 999-A PART# 80050020	SILICONE
22	SELF-LATCHING THUMB TURN PART# 20090081	STEEL
23	PULL HANDLE PART# 65103300	STEEL
24	THUMB TURN DEADBOLT PART# 20090086	STEEL
25	GLAZING FOAM TAPE PART# 20200166	BUTYL
26	RUBBER SEAL "D" SHAPED PART# 40040004	-
27	INSIDE FACE PANEL PART# 66121200	-
28	OUTSIDE FRONT FACE PANEL PART# 56121100	-
29	OUTSIDE SIDE FACE PANEL PART# 66120900	-
30	ARMOR PANEL	-
31	ARMOR STRIP	-
32	GLAZING TAPE 1/2" X .063" PART# 202001155	BUTYL
33	TOP CAP PART# 6122500	-
34	INSULATION PANEL	-
35	COUNTER PART# 96120500	STAIN/STL
37	4X4 GANG BOX	-
38	SPEAKER POWER SUPPLY	-
39	INSIDE MASTER SPEAKER	-
40	OUTSIDE SPEAKER W/HOOKUP WIRE PRE INSTALLED PART# 20110021	-
41	PASS- THRU DRAWER PART# 96130000	-
43	ANGLED SHELF BRACKET	-
44	ROLLER MTG. BOLT 1/4"-20 X 3/4" HEX HEAD MS	-
45	ROLLER MTG. NUT 1/4"-20 NYLON LOCKING NUT	-
46	INSIDE FACE PANEL PART# 66122800	-
47	ARMOR PANEL PART# 66125400	-
50	SHIM 1/4" THK. MAX.	WOOD
53	MOUNTING STRAP (14 ga GALV STEEL)	STEEL
57	GLAZING RETAINER	ALUMINUM
58	GLAZING TAPE	-



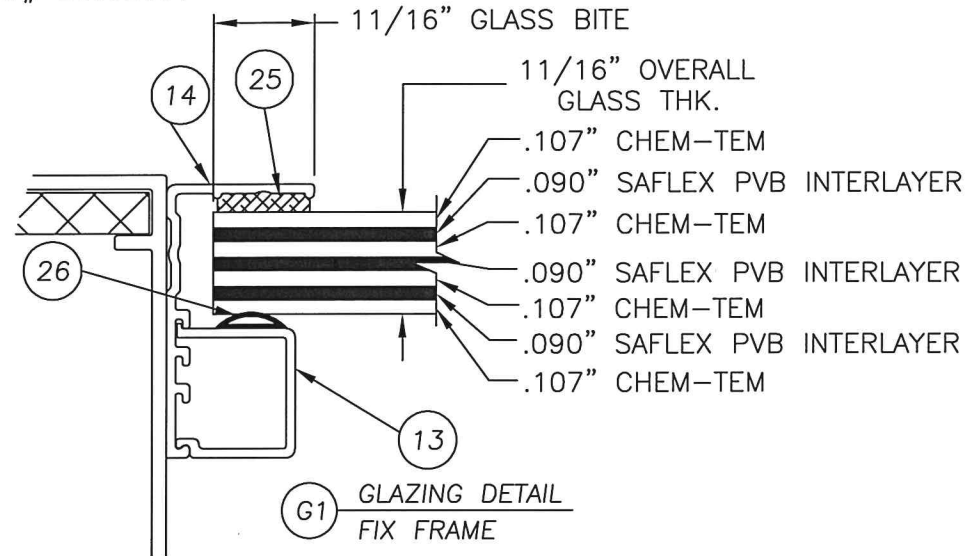
23 PULL HANDLE PART# 65103300



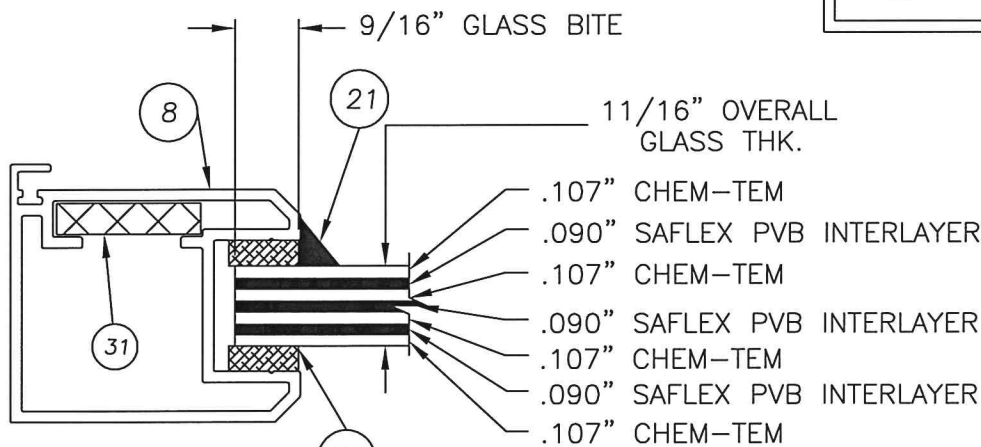
24 THUMB TURN DEADBOLT PART# 20090086

22 SELF-LATCHING THUMB TURN ADAMS-RITE PART# 20090081

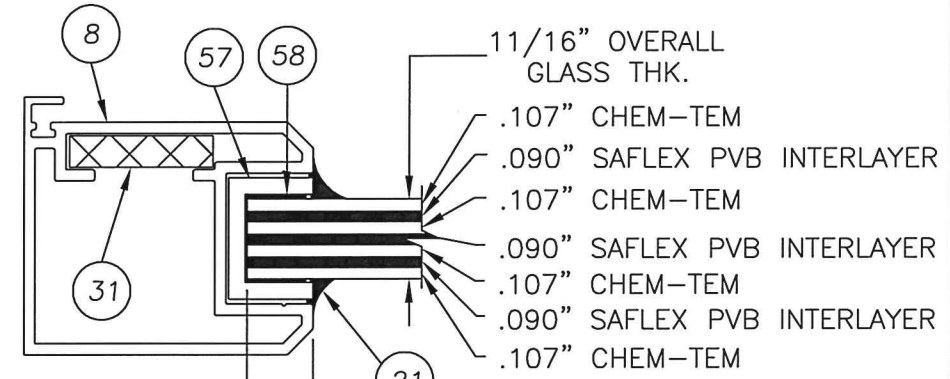
20 CROSS FRAME PART# 64259026 ALUM. 6063-T6



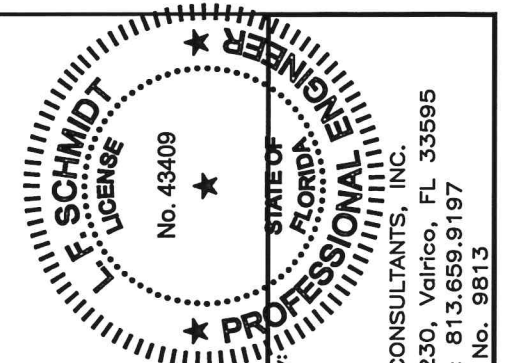
G1 GLAZING DETAIL FIX FRAME



G1 GLAZING DETAIL OPR. SASH



G1 GLAZING DETAIL



Documents Prepared By:
Lyndon F. Schmidt
P.E. No. 43409

R.W. BUILDING CONSULTANTS, INC.
P.O. Box 230, Valrico, FL 33595
Phone No.: 813.659.9197
FBPE C.A. No. 9813

PRODUCT: READY ACCESS DRIVE THROUGH WINDOW
PART OR ASSEMBLY: "IMPACT"
BILL OF MATERIALS, COMPONENTS & GLAZING DETAILS

NO.	DATE	REVISIONS	LFS	BY
1	3/30/15	UPDATE TO 5TH ED. (2014) FBC		

DATE: 1/24/12
SCALE: N.T.S.
DWG. BY: KV
CHK. BY: LFS
DRAWING NO.: FL-5102.3
SHEET 8 OF 8